

HINTS FOR HOMEOWNERS

Tips On Sorting Through Confusing Claims About Gutter Guards

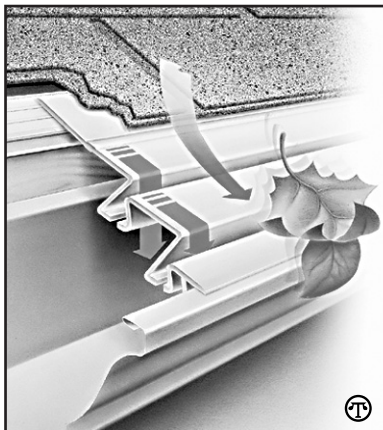
(NAPSA)—Had enough of cleaning clogged gutters and made the decision to install a gutter protection system? To determine which system works and looks best for your home—and will also fit your wallet—it's important to get answers to the following questions. Will it:

- Have the lowest installed cost?
- Install with nails or screws that penetrate the roof?
- Crack or dent?
- Handle a real torrent of rain?
- Look great on your house?

One popular choice is the WaterFall® Gutter Guard System, a system that helps water drain off the roof while keeping gutters from getting clogged. Unlike costly, complicated metal aluminum systems, this vinyl, tiered system installs quick and easy with no roof penetration.

A flat tab tucks under the first row of shingles and a flexible joint allows it to conform to almost any roof pitch. As the water flows off the roof and into the slats, the debris passes over and onto the ground below, leaving gutters clog- and sag-free.

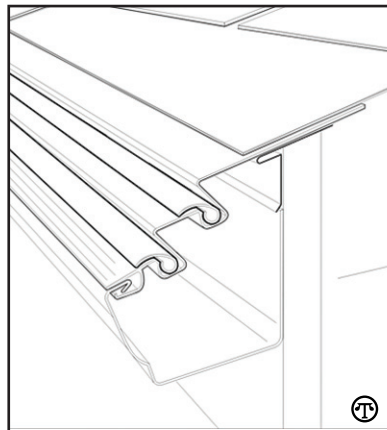
The system is based on the scientific principle of molecular attraction between the surface of WaterFall and the surface of water. Simply, rainwater clings to and follows the surface of the gutter guard's downward "steps" into



A multi-step design lets this popular gutter guard system handle the largest possible volume of water.

channels and then through the drain holes into the gutter. At the same time, leaves and debris simply slide over the "steps" and onto the ground below. As a result, homeowners can forget about cleaning gutters, overflowing and sagging gutters, rotted fascia boards and water damage to the roof and foundation.

For areas with many trees and heavy leaf fall, there is a specially designed Small Debris Insert that snaps into the WaterFall slats that will keep pine needles, Douglas Firs, seeds, etc. from falling into the gutter. Also, end caps are available to close the openings at the ends of gut-



For areas with a high volume of small debris (seed buds, pine needles) the Small Debris Insert is recommended.

ter runs to keep birds and small animals out of an attractive hiding/living place.

For the complete WaterFall story, including its ability to handle over 10 inches of rain per hour, go to www.water-fall.cc. Then click on the button to find a certified installer in your area. To ensure that this system is installed properly, it's a good idea to use a certified installer. If you prefer to do the installation yourself, click on the "Where to Buy" button for a list of retailers. You can also write to Crane Products, Ltd., P.O. Box 1898, Columbus, OH 43216-1898, or call 1-888-325-2638.