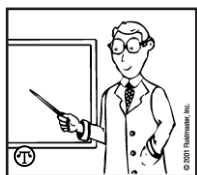




# TIPS FOR HOMEOWNERS

## A New Way To Install A Toilet

(NAPS)—Installing a toilet doesn't have to mean an afternoon down the drain. The process can be quick and easy. Just follow these tips from Fluidmaster's expert, Professor Flush:



Start by turning off the water supply to the toilet. Then flush the toilet to drain the tank and bowl.

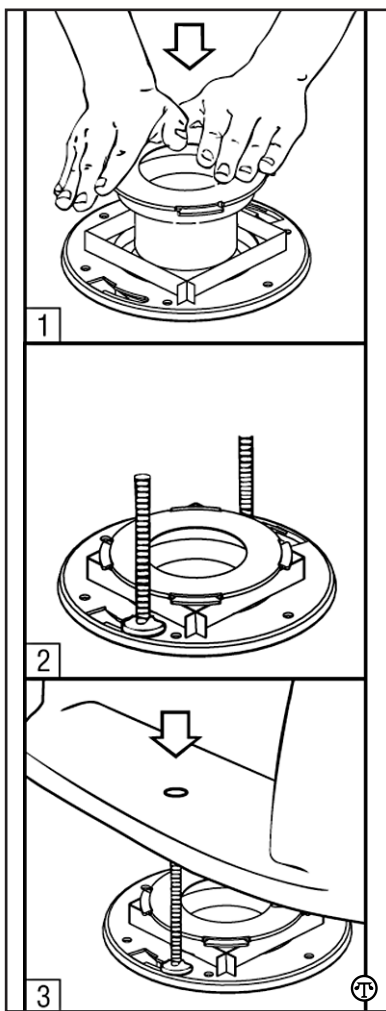
Next, unbolt the tank from the bowl and the bowl from the floor.

Typically, a wax ring seals the bottom of the bowl to what's called the "flange," or the external ring around the drainage pipe. Use a putty knife to remove old wax from the flange and the bottom of the bowl. Then remove the old bolts and clean any wax off the flange and bowl horn (the bottom of the bowl) with a wire brush.

Now it's time to install the gasket. A new type of gasket is available, called the Wax-Free Bowl Gasket, that may be easier to work with and provide a better seal than wax rings. The gasket design fits both 3-inch and 4-inch drain pipes, eliminates messy wax, seals on uneven floors, prevents splash up and rotting of the floor flange, has a ten year warranty and can be readjusted during installation.

- When installing the Wax-Free Bowl Gasket, slowly and evenly push the bowl gasket assembly downward into the drain pipe.

- Connect brass closet bolts to the flange by inserting the bolts, head down, into the mounting adjustment slots on the floor flange. Slide the plastic retaining washers down the threads to



hold both bolts in place.

- Line up the holes in the toilet base with the bolts on the floor flange. This will line up the top of the gasket with the horn on the bottom of the toilet bowl. Lower the toilet. Apply weight to get the toilet to rest on the floor.

For more information, visit [www.fluidmaster.com](http://www.fluidmaster.com).